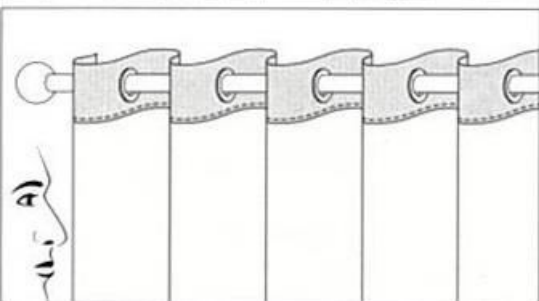
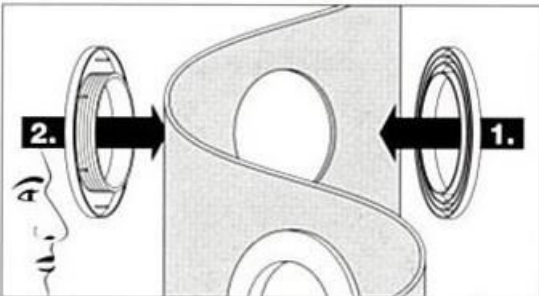
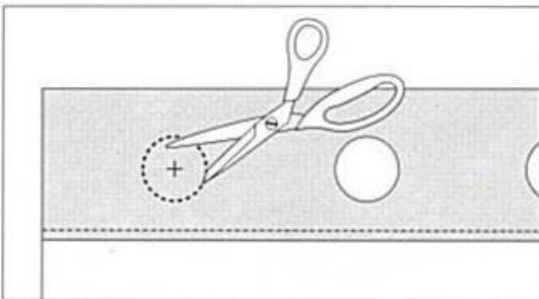
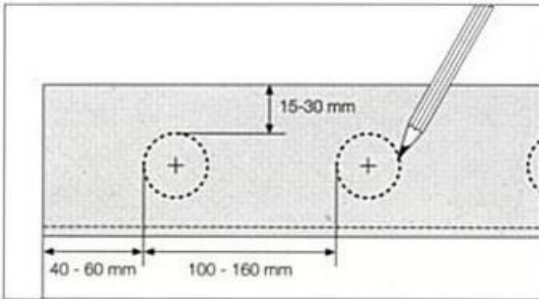
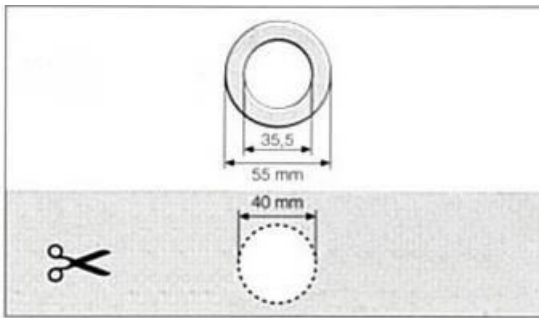


PLASTIC GROMMETS INSTALLATION INSTRUCTIONS

FOLLOW THESE INSTRUCTIONS, YOU'LL BE ENJOYING YOUR NEW DRAPERY HARDWARE SOON.
FOR USE WITH POLE SIZES UP TO 1 1/8" DIAMETER



- 1) Each grommet is made of two parts
- 2) OPEN GROMMET by using the slot situated on the side of the grommet
- 3) On a large flat, clean working surface, lay your finished and/or hemmed fabric face down
- 4) Measuring from the top, place one half of the open grommet onto the finished fabric with flat side of the grommet face down onto fabric. Keep the second half of the open grommet aside, you will require it to complete the job
- 5) Then, depending on the desired distance (space) you require between each grommet, place another grommet at exactly the same distance from the top of the fabric.
- 6) Once all grommet halves have been evenly placed onto fabric, double-check your measurements just in case the grommets have shifted. GROMMETS MUST BE EQUAL DISTANCE FROM THE TOP OF YOUR FINISHED FABRIC AND SPACING BETWEEN EACH GROMMET MUST BE THE SAME.
- 7) Using a marker or pencil, trace the inside of all the evenly spaced grommets and remove grommet halves from the fabric
- 8) Using fabric scissors, cut holes into fabric. Note that all fabric holes should be equal in size.
- 9) Once all holes are cut in your fabric, place each set of grommet halves on either side of your fabric and snap together
- 10) Take desired pole and feed it through each and every grommet. This will give you a soft fold effect.
- 11) Place finials onto end of pole and mount pole onto wall brackets.